

VAZ 700 Z

TECHNOLOGY FOR A SUSTAINABLE TOMORROW



Shredding



APPLICATION

Chipboard, softwood, kiln dried hardwood as well as all wood waste arising in typical carpenter and joinery companies.

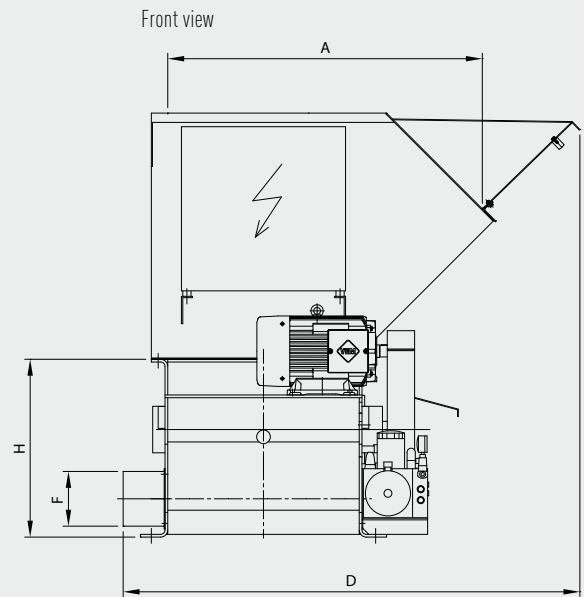
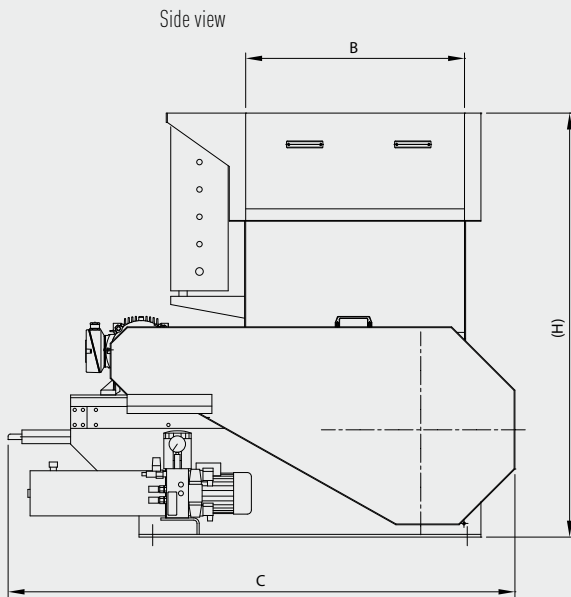
Vecoplan[®]

VAZ 700 Z

TECHNOLOGY FOR A SUSTAINABLE TOMORROW



Shredding



DETAILS

			VAZ 700 Z
Infeed opening	A	mm	1150
	B	mm	800
Overall dimensions	C	mm	1860
	D	mm	1670
Material outlet	F	mm	D=200
Height	H	mm	650
	(H)	mm	1550
Motor power		kW	11

Subject to technical changes without notice / Detailed dimension drawings and load data available on request / Dated: 01/2013

Authorized Dealer:
 Biomass Systems Supply
 P.O. Box 1835 • Chico, CA 95927
 Toll Free (USA & Canada): 877-474-5521
 Office: 530-893-2444 Fax: 530-893-2244
 www.BiomassSystemsSupply.com

www.vecoplan.com