

VPM 650

TECHNOLOGY FOR A SUSTAINABLE TOMORROW



APPLICATION

The VPM 650, with a capacity of 6000 lbs of pellets per hour, is designed specifically for large commercial scale pellet production. Pelletizes hard woods, soft woods, wood scrap, agricultural bi-products, grasses, manures, virtually any type of biomass, paper, cardboard, and a range of other feedstocks.

FEATURES

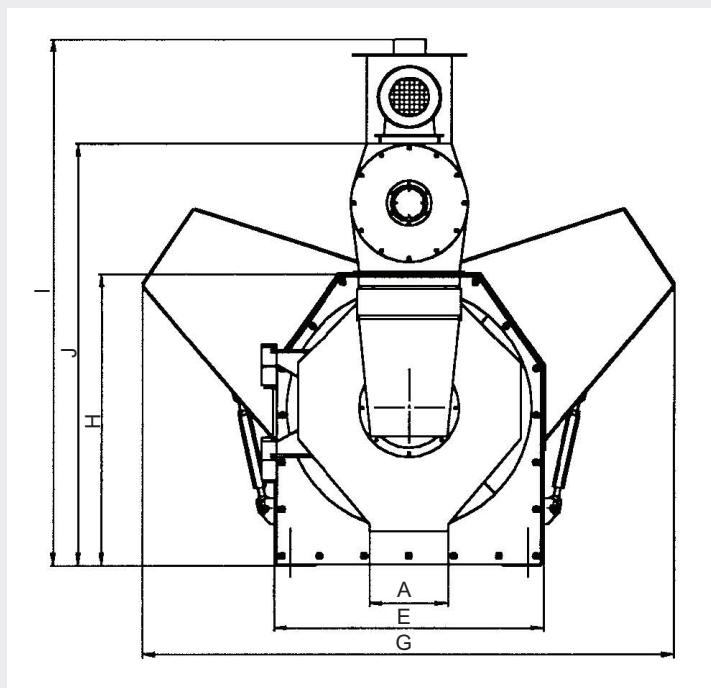
- Maximum Efficiency
- Easy to Operate and Maintain
- Low Cost Operation
- Range of Die Sizes
- Heavy-Duty Rigid Construction
- Small Foot Print
- Low Cost

www.vecoplanmidwest.com

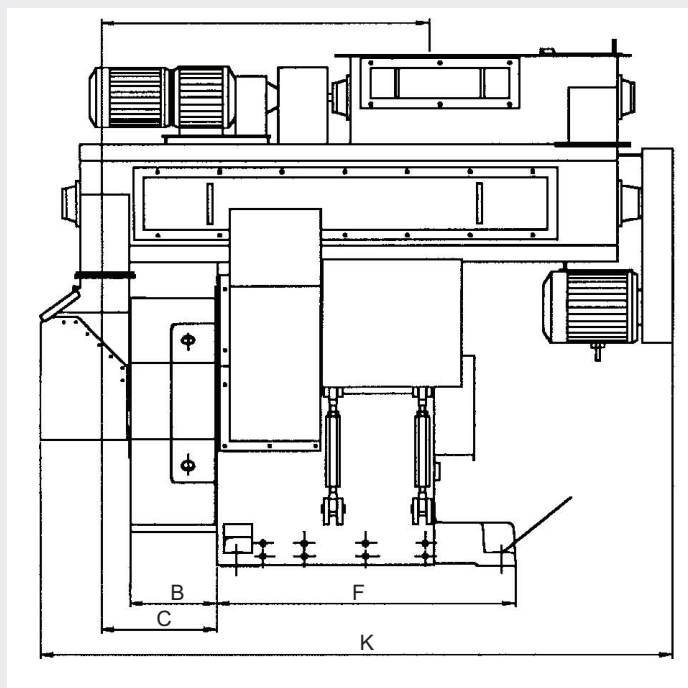
Vecoplan[®]

VPM 650

TECHNOLOGY FOR A SUSTAINABLE TOMORROW



front view



side view

SPECIFICATIONS

Press	
1. Capacity to/h (max.)	3
2. HP Press	2 x 150
3. HP Mixer	15
4. HP Feeder	5
5. Weight (Tons)	4.2

DIMENSIONS (IN INCHES)

Press	650
A	17.25
B	20
C	33
D	68.5
E	42.5

F	56.25
G	93.75
H	50.5
I	100
J	83.25
K	122

OPTIONS

- Stainless Steel Ribbon Mixer
- Range of Die Sizes
- Dust Collection Systems
- Force Feed
- Engineering and Material Handling Equipment
- Turn-Key Installation and Start-Up

Vecoplan Midwest
 P.O. Box 86 • Floyds Knobs, IN 47119
 4005 Earnings Way • New Albany, IN 47150
 Phone: 812-923-4992 Fax: 812-923-4994

Authorized Dealer:
 Biomass Systems Supply
 P.O. Box 1835 • Chico, CA 95927
 Toll Free (USA & Canada): 877-474-5521
 Office: 530-893-2444 Fax: 530-893-2244
www.BiomassSystemsSupply.com

www.vecoplanmidwest.com

0209A

