

VAZ 1100

TECHNOLOGY FOR A SUSTAINABLE TOMORROW



APPLICATION

The Vecoplan VAZ 1100 Rotary Shredder is designed especially for size reduction of difficult industrial materials such as plastics, dunnage, wood scrap, medical waste, municipal waste, furniture parts, pallets, carpet, cardboard and paper.

FEATURES

- Low Speed / High Torque Design
- Touch Pad Monitoring & Control
- Easy Accessibility
- Tramp Metal Protection
- Equity "Buyback" Guarantee
- Low RPM / Low Noise
- Large Infeed Hopper
- Precision Hydraulic "Process Ram"
- 4-Way, Indexable Cutting Inserts
- High Output "Torsion Point" Cutting Rotor
- Severe Duty Construction
- Rugged Hydraulics
- Stress-Free Frame, Robotically Welded
- Lifetime Limited Warranty on Cutting Rotor
- Oversized Drivetrain
- Heavy Outboard Spherical Roller Bearings
- Fluid "TurboCoupling"
- PLC Control Panel
- ISO 9001 Manufactured
- Hinged Protective Cylinder Covers
- 0.015" Knife Gap
- Easy Access Screen

www.vecoplanllc.com

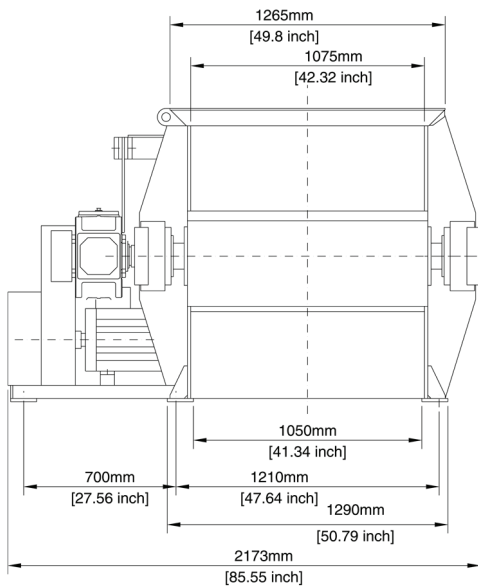
Vecoplan[®]

VAZ 1100

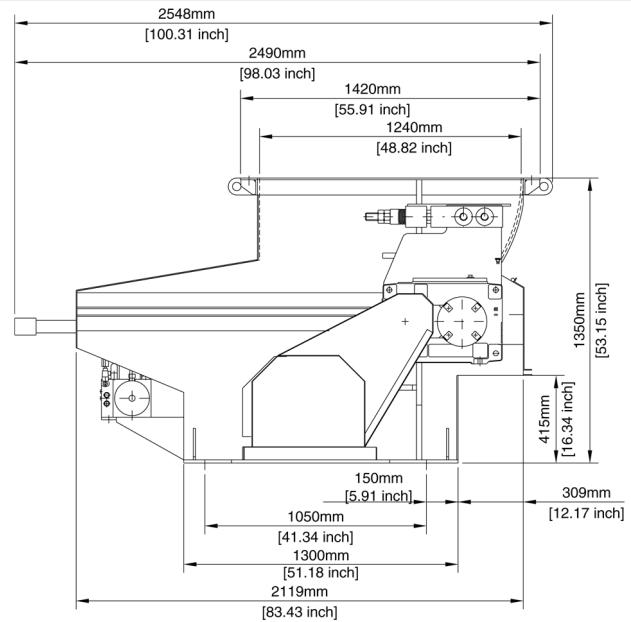
TECHNOLOGY FOR A SUSTAINABLE TOMORROW



Shredding



front view



side view

SPECIFICATIONS

Hopper Opening	inch	42x48
Hopper Volume	cubic yards	2.9
Rotor Diameter	inch	10
No. of Cutters	qty	27 (40x40)
Rotor Speed	rpm	120
Drive Motor HP	HP	30
Feed System	HP/speed	3HP / 2 Speed
Machine Weight	lbs	5,700
Voltage	V/PH/Hz	460/3/60

OPTIONS

- Optional Control Brands
- Quick Disconnect & Quick Clean Screens
- Application Specific Programming & Control Integration
- Special Purpose Screens
- Critical-Duty Drivetrain
- High Speed Ram
- Wear Resistant Cutting Chamber
- Complete Turn-Key Recycling & Reclamation Systems and Material Handling Products Installation

biomass
SYSTEMS SUPPLY

Vecoplan, LLC
P.O. Box 7224 • High Point, NC 27264
Phone: 336•861•6070 Fax: 336•861•4329

Authorized Dealer:
Biomass Systems Supply
P.O. Box 1835 * Chico, CA 95927
Toll Free: 877-474-5521 * Office: 530-893-2444
www.biomasssystemssupply.com